



DATACENTER

# Multi Switch ATS

**1:1** 16 A



Plug & Play  
installation

## HIGHLIGHTS

- Redundant power supply
- Load protection
- Versatile to use

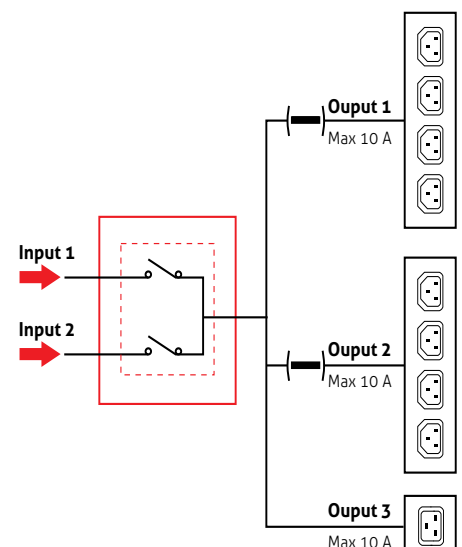
Multi Switch ATS provides installations with power supply continuity. Its operating principle ensures higher reliability than a single UPS, (with or without its own internal bypass).

### Operating principle

Multi Switch ATS provides direct distribution of eight 10 A IEC consumers or one 16 A IEC consumer in a system with two input power lines (two mains inputs, or two UPS). Multi Switch ATS is able to connect to either of the two input power lines, whilst simultaneously monitoring the power uptake.

### Protection against load faults

If one of the loads fails (e.g. short circuit), Multi Switch ATS disconnects the group of sockets where the load is connected, thus



preventing other loads from being switched off (i.e. in the event of poor selectivity of the protection devices).

### Protection against power supply faults

If one of the two power sources falls outside tolerance levels, Multi Switch ATS will transfer the consumers to the second power source (switching is instantaneous if the two sources are in phase).

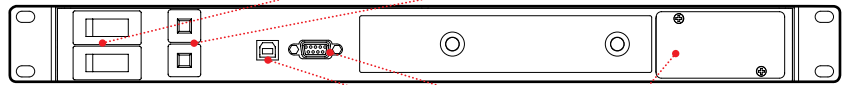
### Features

- Full protection for consumers against mains and load failures
- Versatile to use: Multi Switch ATS can be powered with 2 different power supplies (2 UPS even of different sizes/types)
- 19" cabinet installation
- Display panel
- Can be connected to PowerNetGuard supervision software
- No signal connection between the Multi Switch ATS and the power sources or consumers is necessary
- Compatible with PowerShield<sup>3</sup> software
- Slot for communications boards.

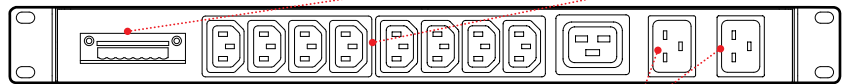
## DETAILS

### MTA

#### FRONT



#### REAR



## OPTIONS

### SOFTWARE

PowerShield<sup>3</sup>

### ACCESSORIES

NETMAN 101 PLUS

NETMAN 102 PLUS

NETMAN 202 PLUS

MULTICOM 301

MULTICOM 302

MULTICOM 351

MULTICOM 352

MODELS	MTA
<b>CURRENT</b>	<b>16 A</b>
<b>INPUT</b>	
Nominal voltage	180 - 276 Vac
Nominal frequency	50/60 Hz
Max. load for each input	16 A
Input sockets	2 IEC-320 C20 (16 A)
<b>OUTPUT</b>	
Nominal voltage	choice of one of the two input power sources
Max. load for each output	10 A on IEC-320 C13 - 16 A on IEC-320 C19
Output sockets	4+4 IEC-320 C13 (10 A) + 1 IEC-320 C19 (16 A)
<b>INFO FOR INSTALLATION</b>	
Weight (kg)	6
Dimensions (WxDxH) (mm)	19" x 330 x 1U
Operating temperature	0 °C / +40 °C
Relative humidity	<95% non-condensing
Protections	Overcurrent - overvoltage - undervoltage - protection against energy back-feed
Max. altitude	3000 m
Max. altitude (in storage conditions)	6000 m; 45 °C
Communications	DB with RS232 and USB ports, slot for communications interface, relay contact port
Colour	Dark grey RAL 5004
IP rating	IP20
Noise level at 1 m	< 35 dBA