



DATACENTER

Multi Switch

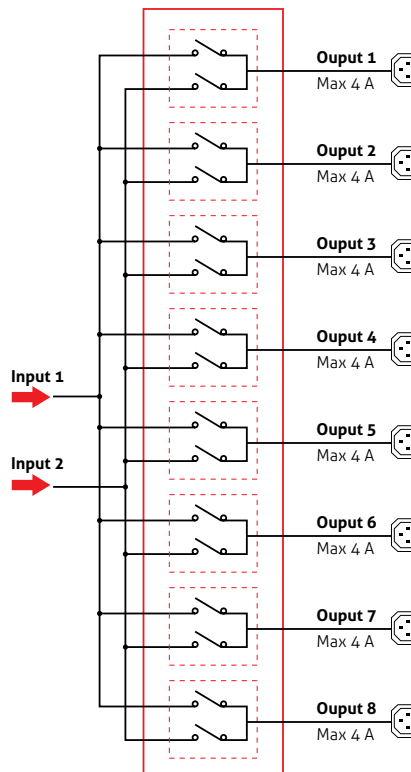
1:1 16 A



Plug & Play installation

HIGHLIGHTS

- Redundant power supply
- Load protection
- Versatile to use



Multi Switch is a rackmount source transfer switch that can supply up to eight loads from two AC power sources. Should one source fail, the other automatically powers the load. The sources can be two separate AC sources including mains power and UPS, or a combination of the two.

Operating principle

The Multi Switch provides electrical distribution and remote management for up to eight network users, powered from two direct mains supplies or UPS or a combination of both. The Multi Switch can connect each load (up to eight, each with a maximum power demand not greater than 4A), to either of the two power sources (1 and 2). Load demand is shown on the LCD.

Protection against load faults

If one of the two loads fails (i.e. due to a short circuit or overload), Multi Switch will disconnect the load to protect the operation



of the other loads (i.e. in the event of poor selectivity of the protection devices).

Protection against power supply faults

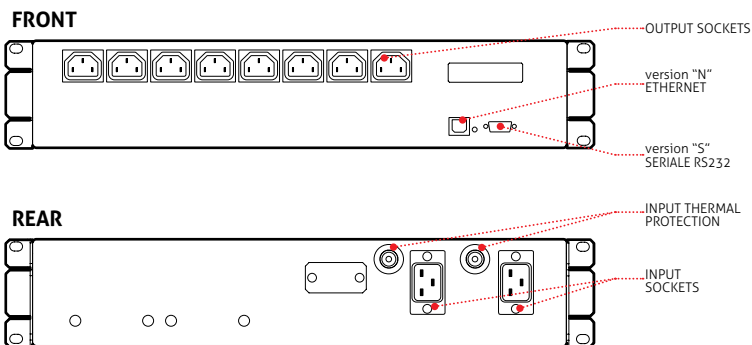
If one of the two power sources falls outside tolerance levels, Multi Switch will transfer the consumers to the second power source (switching is instantaneous if the two sources are in phase).

Features

- Full protection for consumers against mains and load failures
- Versatile to use: can be powered with 2 different power supplies (2 UPS even of different sizes/types)
- 19" cabinet installation
- LCD display for monitoring measurements / alarms / status
- Can be connected to PowerNetGuard supervision software (Ethernet version)
- No signal connection between the Multi Switch and the power sources or consumers is necessary
- Display software
- Network interface.

DETAILS

MSW (2 inputs - 8 outputs)



OPTIONS

SOFTWARE

PowerNetGuard

ACCESSORIES

NETMAN 102 PLUS
(only with version N)

MODELS	MSW-S	MSW-N
CURRENT	16 A	
INPUT		
Nominal voltage	180 - 276 Vac	
Nominal frequency	50/60 Hz	
Max. load for each input	16 A	
Input sockets	2 IEC 320 (16 A)	
OUTPUT		
Nominal voltage	choice of one of the two input power sources	
Max. load for each output	4 A	
Output sockets	8 IEC 320 10 A	
INFO FOR INSTALLATION		
Weight (kg)	10	
Dimensions (WxDxH) (mm)	19" x 360 x 2U	
Operating temperature	0 °C / +40 °C	
Relative humidity	<95% non-condensing	
Protections	Overcurrent - overvoltage - undervoltage - protection against energy back-feed	
Max. altitude	3000 m	
Max. altitude (in storage conditions)	6000 m; 45 °C	
Communications	RS232 port	Ethernet port
Colour	Dark grey RAL 5004	
IP rating	IP20	
Noise level at 1 m	< 35 dBA	